

SL20GE

Electric pallet truck

电动托盘搬运车

Parts list 零件目录

20230516 V06

PARTS ORDERING INSTRUCTIONS

HOW TO ORDER

When you order, supply the part number, quantity, model and serial numbers of your machine. Supplying this information will assure prompt, efficient handing of your order.

Since your dealer carries many parts in stock and maintains up-to-date prices on all parts, he will be able to process your order immediately. If, for some reason, the part is not in stock, he will order it from the factory. In either event, he maintains a current file of service manuals, which give all available parts ordering or technical information.

WHERE TO ORDER

Always order parts from the dealer who sold you your truck. If it is necessary for the dealer to order parts from the factory, he is able to get prompt service for you. Parts are shipped in accordance with shipping instructions given on the order.

INSTRUCTIONS FOR RETURNING PARTS

Under NO CIRCUMSTANCES will parts be accepted at the factory for credit without prior approval. We cannot accept responsibility for parts returned without authorization.

If you have some parts which must be returned, contact your dealer. If he believes parts should be returned, he will arrange for authorization to return the parts.

CHANGES

When changes are made to the machine, revised pages for this manual will be issued. These pages must be inserted in your parts manual as soon as they are received.

Failure to keep your parts manuals up to date will result in confusion and may cause you to order wrong parts.

零件订购说明

如何订购

当您订购的时候，您需要提供叉车零件的编号，数量，型号和序列号。提供这些信息能够保证您的订购更加的高效。

因为您的经销商有很多零件的存货，而且需要保持所有零件的价格是最新的，所以他会尽快地处理您的订购需求。假如因为某些原因，存货中没有这个零件，那么他会从公司订货。无论怎样的情况，他手里都会有一份服务手册文件，它能提供所有可用的零件的订购信息或者技术信息。

订购地点

当您需要订购零件时，请到销售给您叉车的经销商那里订购。如果经销商有必要从公司订购零件，他能为您提供快捷的服务。根据您的订购信息，零件和它对应的操作说明会一起装好。

零件的退还说明

一般情况下，因为信用的关系，退还的零件没有事先的同意，是不会被公司认可的。我们不会对没有经过授权但退还过来的零件负责。

如果您有一些零件一定要退还，请联系您的经销商。若经销商确认零件可以退还，则其会安排授权要退还的零件。

技术修改

当叉车技术有修改时，这本手册的修正页会重新发行。当您拿到这些修正页时，您一定要立即把它们插入到您的零件手册中。若没有及时的更新您的零件手册，则可能会导致您订购、维护等方面的错误。

GENERAL INFORMATION

INDEX

This parts manual is arranged for easy identification of parts .The index at the front of the catalog gives location of major groups and assemblies.

PART LIST

The Item, describes the item on the Figure you are looking at. The Part No. is a numerical description of the item and the part ordering number. The Description is a description of the part number in alphabetical form. The Qty is the quantity used on the machine. The Applied Date is a description when the part is applicable.The Remark is the explanation of the part for a supplement such as the model the capability, the characteristic etc.

HOW TO READ PARTS MANUAL

HELP 1:

Item	Part No	Description	Qty	Applied Date	Remark
------	---------	-------------	-----	--------------	--------

A →

1		02.XDC.3556	Battery	1		24V/20AH
1		02.XDC.3557	Battery	1		24V/30AH
1		02.XDC.3558	Battery	1		24V/40AH
2		03.0132	Screw M5×8	5		

B →

7		03.0245	Nut M12	2		
8		03.04790	Spring	2		
9	01	30.01.6685	Wheel Frame	1	-210125	
9	02	40.11.048	Wheel Frame	1	210125-	

C →

6		02.KSCX.0001	Cover	1		
7		03.0243	Nut M10	2		Cancel
8		40.11.040	Roller	2		
9		03.1088	Bolt M10×60	2		

D →

3		33.054.0001	Frame (550)	1		
3		33.054.0002	Frame (685)	1		
4		03.02393	Screw M6×16	6		
5		40.18.005	Shaft (550)	1		
5		40.15.044	Shaft (685)	1		

E →

6		33.036.0007	Push Rod Welding	2		For 1800Kg
7		03.0691	Bushing Φ19×Φ16×15	4		
8		03.0305	Round Pin Φ5×30	10		

A:The part of Index 1 is Optional.

B:The part of Index 9 has an Applicability, because it's our policy to constantly improve our products.

C:The part of Index 7 indicates that the part is canceled. Note the version number when ordering.

D:The part of Index 3 indicates that the frame welds have different specifications, 550 or 685 indicates the outer width of the forks. Index 5 indicates the parts used for the outer width of the forks.

E:The part of Index 6 indicates that the part is used for model with load capacity of 1800KG.

1. Record by time

- 210125 : Ending on January 25, 2021.

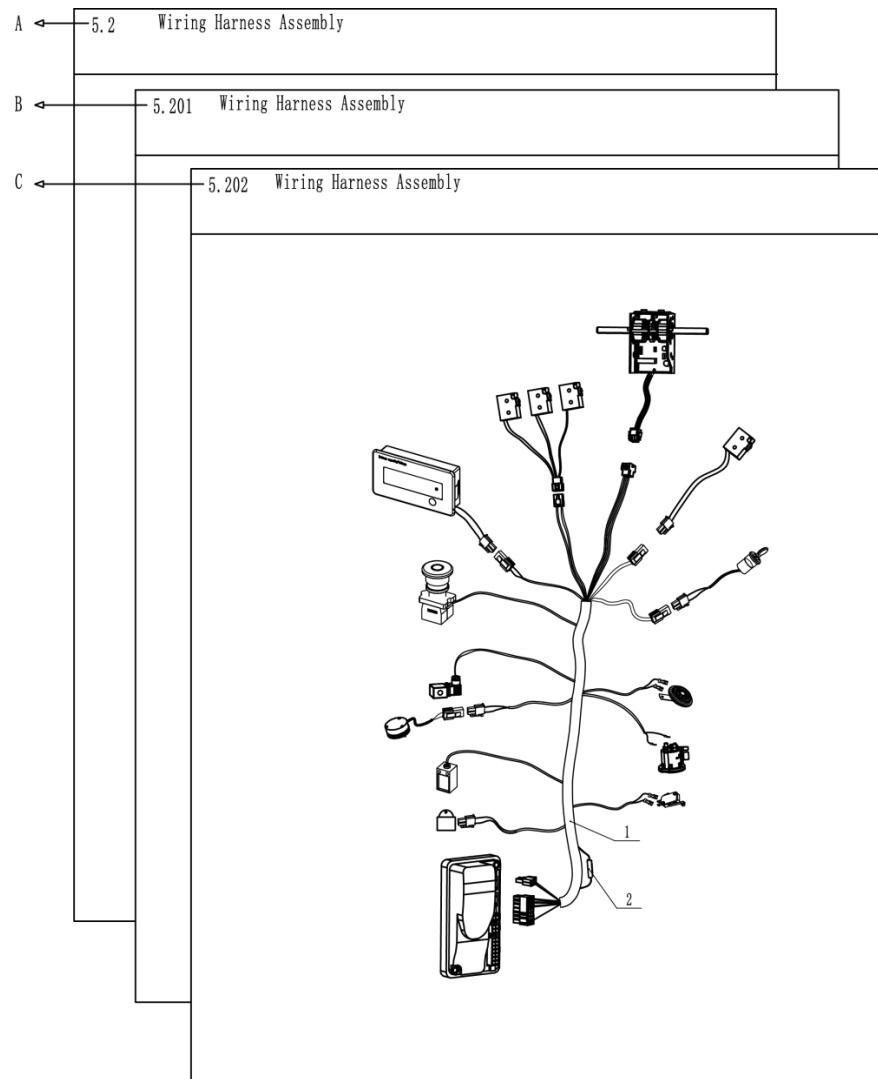
210125- : Beginning on January 25, 2021.

2. Record by serial number

01 : Ending at 01

02 : Starting at 02

HELP 2:



A:Section 5.2 is the original version.

B:Section 5.201 is the version that some parts in the Section 5.2 have been changed.

C:Section 5.202 is the version that some parts in the Section 5.201 have been changed.

When you order, Please locate specific parts information of your truck by the Applied Date of parts in each version.

概要 目录

将零件目录分组成几个易识别的部分，并把主要结构和总成放置在索引目录中。

零件明细表

Item 描述的是在插图上，您想要找的项目。**Part No.**是零件的一系列描述和它的订购号码。**Description** 是用文字的形式描述零件的号码。**Qty** 代表的是零件在叉车上使用的数量。**Applied Date** 表示的是零件适用的时间范围。**Remark** 是用来补充说明零件信息(例如车型、性能和特征等)。

怎么读取零件明目录

帮助 1:

Item 序号	Part No 代码	Description 名称	Qty 数量	Applied Date 适用日期	Remark 备注	
A →	1	02.XDC.3556	Battery 锂电池	1		24V/20AH
	1	02.XDC.3557	Battery 锂电池	1		24V/30AH
	1	02.XDC.3558	Battery 锂电池	1		24V/40AH
	2	03.0132	Screw M5×8 螺钉	5		
B →	7	03.0245	Nut M12 螺母	2		
	8	03.04790	Spring 弹簧	2		
	9	01 30.01.6685	Wheel Frame 轮架	1	-210125	
	9	02 40.11.048	Wheel Frame 轮架	1	210125-	
C →	6	02.KSCX.0001	Cover 前盖板	1		
	7	03.0243	Nut M10 螺母	2		Cancel/取消
	8	40.11.040	Roller 滚子	2		
	9	03.1088	Bolt M10×60 螺栓	2		
D →	3	33.054.0001	Frame(550) 车架	1		
	3	33.054.0002	Frame(685) 车架	1		
	4	03.02393	Screw M6×16 螺钉	6		
	5	40.18.005	Shaft(550) 支撑轴	1		
	5	40.15.044	Shaft(685) 支撑轴	1		
E →	6	33.036.0007	Push Rod Welding 推杆	2		For 1800Kg
	7	03.0691	BushingΦ19×Φ16×15 复合套	4		
	8	03.0305	Round PinΦ5×30 弹性圆柱销	10		

A: 序号 1 表示该零件有几个品种可供您的选择。

B: 序号 9 表示该零件有一个适用的时间范围。这是因为我们在不断地进行产品的升级。

C: 序号 7 表示该零件取消，订购时注意版本号。

D: 序号 3 表示车架焊接体有不同的规格，550 或 685 表示货叉的外宽。序号 5 表示配用于货叉外宽的零部件。

E: 序号 6 表示该零件配用载重 1800KG 车型。

1. 用时间记录

- **210125** : 截止到 2021 年 01 月 25 日

210125- : 起始于 2021 年 01 月 25 日

2. 用序列号记录

01 : 截止序列号 01

02 : 起始序列号 02

Index 目录

1. Frame System 车身系统

1.1 Frame System 车身系统.....	1
1.2 Distribution Box Assembly 配电箱总成.....	2
1.3 Connecting Rod Components (Double Wheel) 连杆组件 (双轮).....	3
1.4 Connecting Rod Components (Single Wheel) 连杆组件 (单轮).....	5
1.5 Caster Assembly 平衡轮总成.....	6
1.6 Cover Assembly 外罩总成.....	7

2. Driving System 驱动系统

2.1 Driving Assembly 驱动总成.....	8
--------------------------------	---

3. Operating System 操作系统

3.1 Handle Components 手柄组件.....	9
3.2 Handle Head Assembly 手柄头总成.....	10

4. Hydraulic System 液压系统

4.1 Hydraulic System 液压系统.....	12
4.2 Hydraulic Pump Assembly 动力单元.....	13

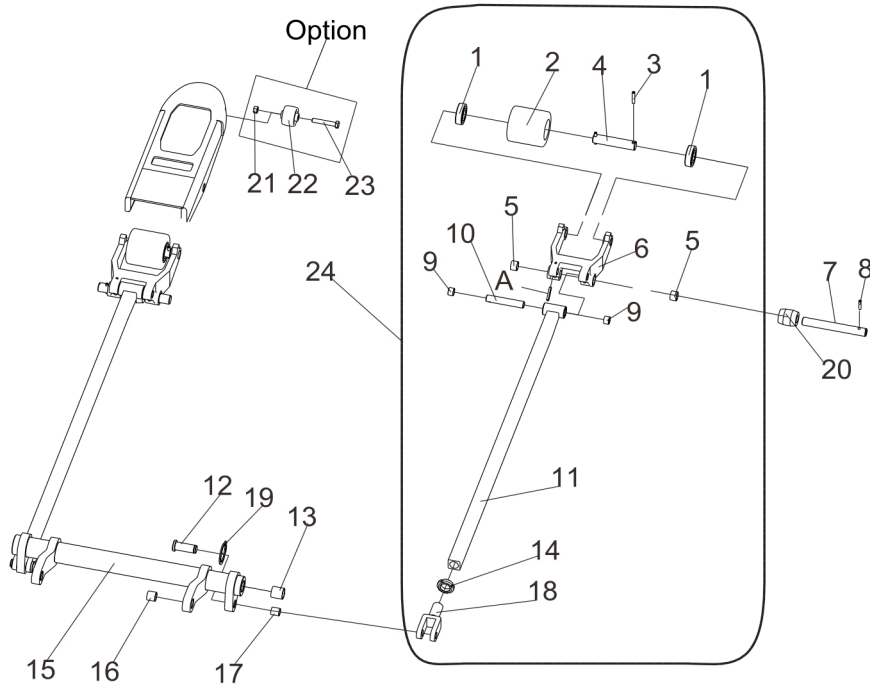
5. Electric System 电器系统

5.1 Electric Assembly 电器总成.....	14
5.2 Electric Components 电控组件 (F2-A)	16
5.3 Wiring Harness Assembly 线束总成 (F2-A)	17
5.4 Cable Assembly 电缆总成 (F2-A 铅酸)	18
5.4 Cable Assembly 电缆总成 (F2-A 锂电)	19

修订记录

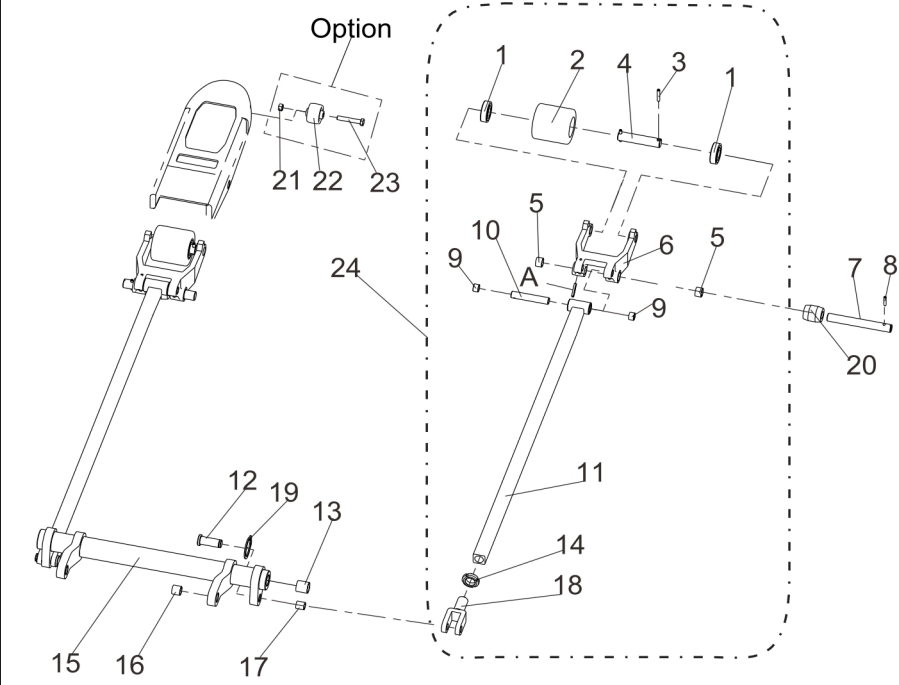
版 本	修订人	修订事项
20200316 V01	蒋连杰	首次发布;
20200512 V02	蒋连杰	①: 3.2 新增大手柄图;
20200723 V03	蒋连杰	①: 3.3 新增手柄组件(智能)图; ②: 3.4 新增手柄头总成(智能)图;
20210701 V04	施靖辉	①: 版本格式整体调整;
20220707 V05	蒋连杰	①: 新增锂电配置;
20230516 V06	沈培彦	①: 版本格式整体调整; ②: 1.1 将电池零件合并到 5.1, 新增低放 75 车架焊接和挡货架焊接选配; ③: 1.3 连杆组件名称更改为连杆组件(双轮), 新增低放 75 前轮选配, 新增低放 75 退出滚子选配, 常规退出滚子选配, 新增低放 75 推杆焊接选配; ④: 原 1.4 平衡轮总成序号更改为 1.5 平衡轮总成; ⑤: 新增 1.4 连杆组件(单轮); ⑥: 原 1.5 外罩总成序号更改为 1.6 外罩总成; ⑦: 2.1 新增驱动轮(橡胶)选配; ⑧: 5.1 新增锂电池选配, 内置锂电池充电器选配; ⑨: 1.5、3.1、3.2、3.3、3.4、5.2 新增配件总成号 A;

1.3 Connecting Rod Components(Double Wheel) 连杆组件(双轮)



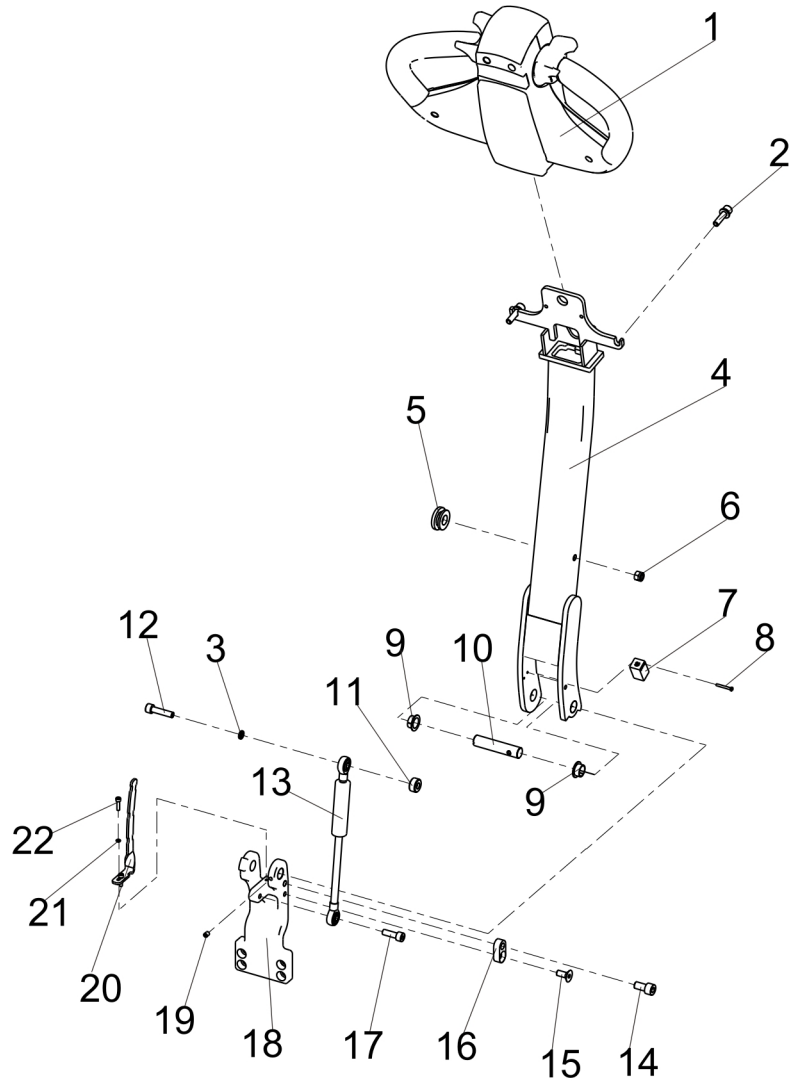
Item 序号	Part No 代码	Description 名称	Qty 数量	Applied Date 适用日期	Remark 备注
A	20301020715	Connecting Rod Components(Double Wheel) 连杆组件(双轮)	2		
1	51251000014	Bracket 连板	4		30.01.1290
2	30701020007	Bearing 6204 轴承	8		03.90.057
3	51241000030	Wheel 前轮(H=75mm)	4		02.LZ.0119
4	30501050003	Cylindrical Pin $\Phi 5 \times 35$ 圆柱销	10		03.0303
5	50101200040	Small 小轮轴	4		30.01.3459
6	54002000015	Bushing 复合套	4		03.0457
7	55103000022	Block 力臂块	2		30.01.1061
8	50101200014	Shaft 力臂块轴	2		30.07.006
9	30501050008	Cylindrical Pin $\Phi 5 \times 30$ 圆柱销	2		03.0305
10	54002000016	Bushing 复合套	4		03.0460
11	50101170006	Shaft 推杆轴	2		30.01.11871
12	20101010452	Push Rod 推杆(H=75mm)	2		33.016.0005
13	50106170001	Shaft 推杆后轴	2		30.07.005
14	54002000021	Bushing 复合套	2		03.0448
15	30331250001	Nut M25 \times 1.5 螺母	2		03.0292
16	55102000122	Ring Rod Assembly (550) 圆环棒组件	1		33.016.0004
16	55102000121	Ring Rod Assembly (685) 圆环棒组件	1		33.016.0002
17	54002000023	Bushing 复合套	2		03.0450
18	54002000014	Bushing 复合套	2		03.0459
19	55502000001	Push Rod Fork 推杆叉	2		30.01.0571
20	30421200001	Circlip For Shaft $\Phi 20$ 轴用挡圈	2		03.0064
21	51108000044	Roller 退出滚(H=75mm)	2		30.01.1814
22	30311100001	Nut M10 螺母	2		
23	51108000013	Roller 滚子 (H=75mm)	2		
24	30101100005	Bolt M10 \times 60 螺栓	2		

1.4 Connecting Rod Components(Single Wheel)
 连杆组件(单轮)



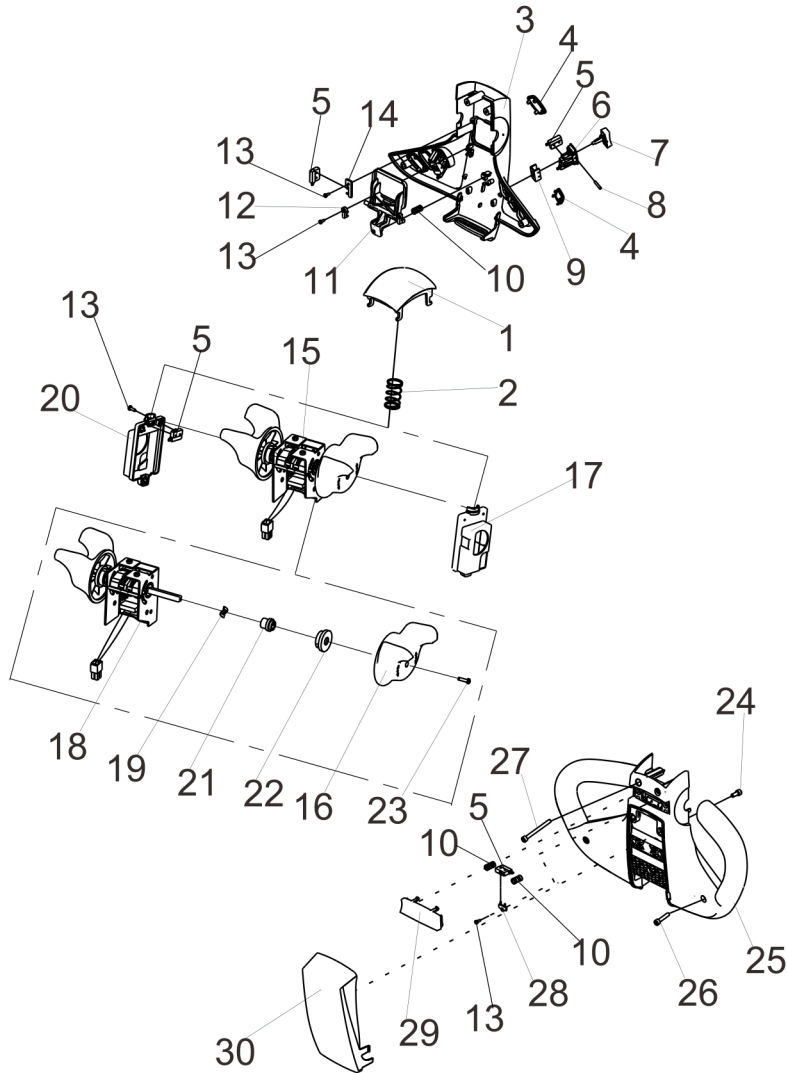
Item 序号	Part No 代码	Description 名称	Qty 数量	Applied Date 适用日期	Remark 备注
A	20301020716	Connecting Rod Components(Single Wheel) 连杆组件(单轮)	2		
1	30701020007	Bearing 6204 轴承	4		03. 90. 057
2	51241000134	Wheel 前轮(H=75mm)	2		
3	30501050003	Cylindrical Pin $\Phi 5 \times 35$ 圆柱销	4		03. 0303
4	50101200032	Small 小轮轴	2		
5	54002000015	Bushing 复合套	4		03. 0457
6	55103000023	Block 力臂块(单轮低放)	2		30. 01. 1061
7	50101200014	Shaft 力臂块轴	2		30. 07. 006
8	30501050008	Cylindrical Pin $\Phi 5 \times 30$ 圆柱销	2		03. 0305
9	54002000016	Bushing 复合套	4		03. 0460
10	50101170006	Shaft 推杆轴	2		30. 01. 11871
11	20101010452	Push Rod 推杆(H=75mm)	2		33. 016. 0005
12	50106170001	Shaft 推杆后轴	2		30. 07. 005
13	54002000021	Bushing 复合套	2		03. 0448
14	30331250001	Nut M25 \times 1.5 螺母	2		03. 0292
15	55102000122	Ring Rod Assembly (550) 圆环棒组件	1		33. 016. 0004
15	55102000121	Ring Rod Assembly (685) 圆环棒组件	1		33. 016. 0002
16	54002000023	Bushing 复合套	2		03. 0450
17	54002000014	Bushing 复合套	2		03. 0459
18	55502000001	Push Rod Fork 推杆叉	2		30. 01. 0571
19	30421200001	Circlip For Shaft $\Phi 20$ 轴用挡圈	2		03. 0064
20	51108000044	Roller 退出滚子(H=75mm)	2		30. 01. 1814
21	30311100001	Nut M10 螺母	2		
22	51108000013	Roller 滚子(H=75mm)	2		
23	30101100005	Bolt M10 \times 60 螺栓	2		
24	20301020718	Single wheel connecting rod wheel frame 单轮连杆轮架	2		

3.1 Handle Components 手柄组件



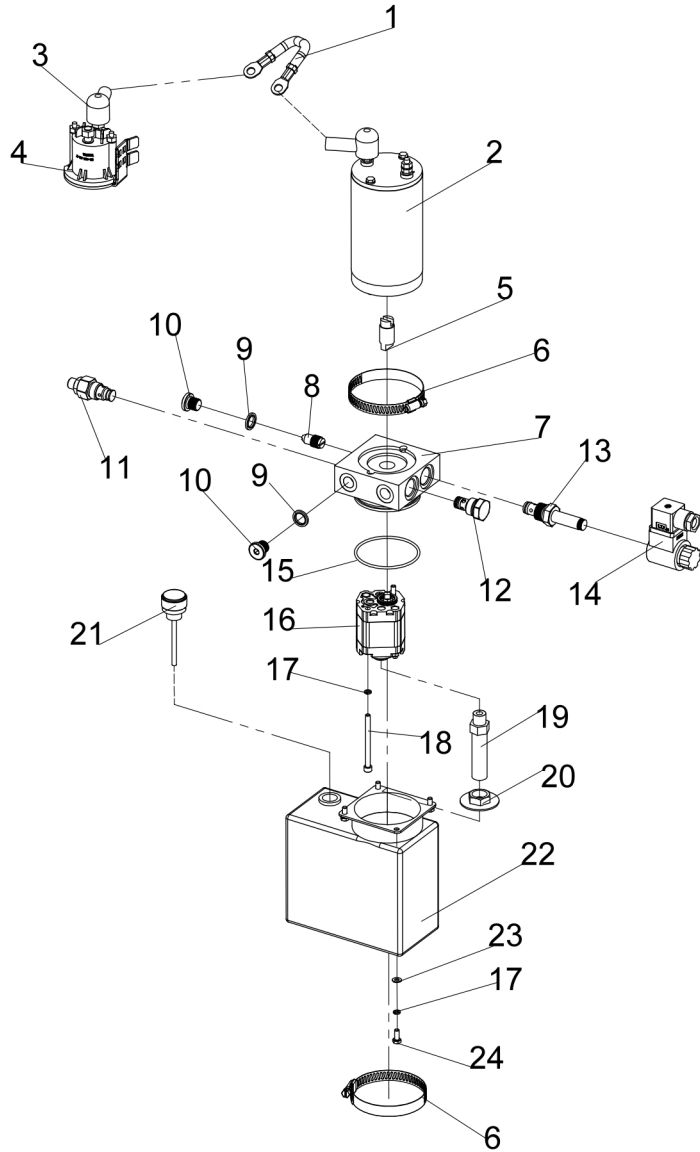
Item 序号	Part No 代码	Description 名称	Qty 数量	Applied Date 适用日期	Remark 备注
A	20301010118	Handle Components 手柄组件	1		
1	71501000001	Handle Head Assembly 手柄头总成	1		02. SB. 317515
2	30201080022	Screw M8×20 螺钉	3		03. 0157
3	30411080002	Lock Washer Φ8 弹垫	1		03. 0012
4	01 55221000076	Handle Bar 手柄杆	1		
4	02 55221000050	Handle Bar 手柄杆	1		
5	54316000016	Shock Absorbers 防震垫	1		02. 01. 2127
6	30311080001	Nut M8 螺母	1		03. 0251
7	70109000004	Proximity Switch 接近开关	1		02. 01. 9274
8	30211030007	Screw M3×25 螺钉	2		03. 01301
9	54001000008	Bushing 带肩复合套	2		03. 0452
10	50101160007	Shaft 关节轴	1		30. 28. 0096
11	50301090003	Spacer 隔套	1		30. 28. 0048
12	30201080032	Screw M8×35 螺钉	1		03. 0158
13	50407000019	Gas Spring 气弹簧	1		02. QTH. 3398
14	30201100022	Screw M10×20 螺钉	1		03. 0163
15	30251080028	Screw M8×20 螺钉	1		03. 0092
16	20201000134	Limit Block 限位块	1		30. 09. 0061
17	30201080024	Screw M8×25 螺钉	1		03. 01101
18	20201000233	Joint Seat 关节座	1		30. 07. 077
19	30221060006	Screw M6×8 螺钉	2		03. 0270
20	20201000189	Plate 线束固定板	1		30. 07. 060
21	30411040002	Lock Washer Φ4 弹垫	2		03. 0008
22	30201040007	Screw M4×22 螺钉	2		03. 0124

3.2 Handle Head Assembly 手柄头总成



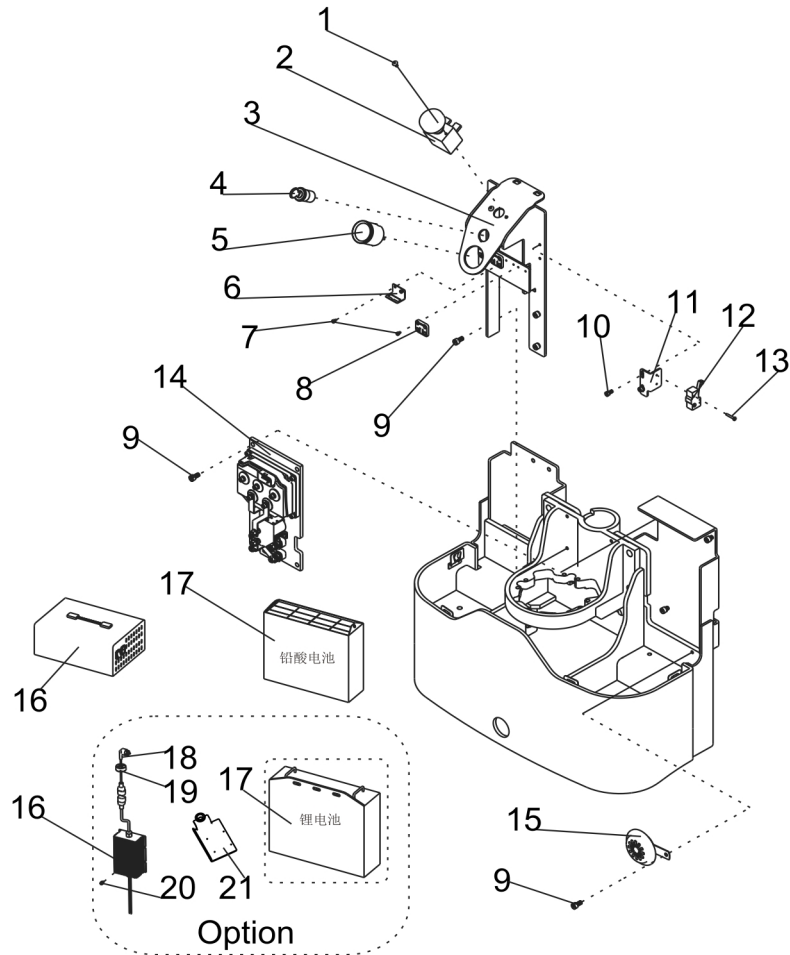
Item 序号	Part No 代码	Description 名称	Qty 数量	Applied Date 适用日期	Remark 备注
A	71501000001	Control Pod Assembly 手柄头总成	1		02.SB.317515
1	71511000015	Belly Switch 肚皮开关	1		16.0038
2	71511000016	Spring 弹簧	1		03.0725
3	71511000001	Upper Cover 上盖	1		02.01.31770
4	71511000014	Button Plug 按钮堵头	4		02.01.317725
5	70103000006	Micro Switch 微动开关	7		
6	71511000007	Lift Button Base 升降按钮底座	2		02.01.317718
7	71511000004	Lift Button 升降按钮	2		02.01.317721
8	71511000017	Cylindrical Pin $\Phi 3 \times 17$ 圆柱销	2		03.0760
9	73109000011	Fixing Sleeve 固定套	2		30.01.3427
10	71511000018	Spring 弹簧	3		03.0726
11	71511000005	Horn Button 喇叭按钮	1		02.01.317723
12	71511000345	Button Clip 按钮卡子	2		02.01.317724
13	30231030002	Screw 螺钉	5		02.SB.PJ.0012
14	71511000107	Install The Card 安装卡	1		02.SB.PJ.0006
15	70132000105	Accelerator Assembly 加速器总成	1		02.01.2155
16	71511000115	Knob 旋钮	2		02.SB.PJ.0027
17	71511000013	Bracket Right 支架右	1		30.01.3424
18	70132000001	Accelerator 加速器	1		02.01.2151
19	30431080001	Wave Washers 波形垫圈	2		03.0735
20	71511000012	Bracket Left 支架左	1		30.01.3423
21	71511000112	Shaft Sleeve 轴内套	2		30.01.3426
22	71511000113	Shaft Jacket 轴外套	2		02.SB.PJ.0025
23	30211030008	Screw M3×12 螺钉	2		03.05364
24	30201050009	Screw M5×12 螺钉	2		03.0131
25	71511000002	Lower Cover 下盖	1		02.01.31772
26	30201050017	Screw M5×25 螺钉	2		03.01410
27	30201050019	Screw M5×55 螺钉	2		03.0751

4.2 Hydraulic Pump Assembly
动力单元



Item 序号	Part No 代码	Description 名称	Qty 数量	Applied Date 适用日期	Remark 备注
A	40401024018	Hydraulic pump assembly 动力单元	1		02. DLDY. 0130
1	20101030752	Electric wire 连接线	1		
2	70402000007	Motor 电机	1		02. DJ. 33618
3	54312000001	Rubber Sleeve 烟斗护套	2		02. 01. 2231
4	70303000006	Contactator 接触器	1		02. 01. 2207
5	40411000027	Coupling 联轴器	1		02. 01. 9308
6	54012000012	Hoop 抱箍	2		03. 1045
7	40407000008	Central module 中心块	1		02. 01. 9342
8	40405000012	Pressure compensation valve 压力补偿阀	1		02. 01. 9384
9	30803013001	Combined sealing washer Φ13 组合密封垫	2		03. 1067
10	50204000003	Plug 堵头	2		02. 01. 9056
11	40405000056	Overflow valve 溢流阀	1		02. 01. 9151
12	40405000038	One way valve 单向阀	1		02. 01. 9028
13	71531000002	Solenoid valve 电磁阀	1		02. 01. 9034
14	71531000031	Solenoid valve winding 线圈	1		02. 01. 9366
15	30801067001	O-ring 0型圈	1		02. 01. 9317
16	40402000006	Gear pump 齿轮泵	1		02. 01. 9059
17	30411050001	Spring washer 5 弹垫	6		03. 00132
18	30201050020	Screw M5×65 螺钉	2		03. 0967
19	40411000020	Oil pump suction pipe 吸油管	1		02. YYL. 3991
20	40412000005	Filter Screen 滤网	1		02. 01. 9310
21	40410000002	Fuel tank cap 油箱盖	1		02. 01. 30420
22	40409000005	Hydraulic oil tank 油箱	1		02. 01. 9315
23	30401050001	Flat washer 5 平垫	4		03. 00511
24	30101050010	Bolt M5×12 螺栓	4		03. 0911

5.1 Electric Assembly 电器总成



Item 序号	Part No 代码	Description 名称	Qty 数量	Applied Date 适用日期	Remark 备注
1	30211050003	Screw M5×12 螺钉	2		03.02261
2	70104000005	Emergency Stop Switch 急停开关	1		
3	20101010073	Bracket 支架	1		33.016.0001
4	70105000001	Key Switch 钥匙开关	1		02.01.2186
5	70601000006	Electricity Meter 电量表	1		
6	20201000213	Connector Support 接插件支板	1		30.07.071
7	30201040012	Screw M4×6 螺钉	8		03.0127
8	54331000005	Line Fork Seat 线叉座	3		02.01.02070
9	30201080028	Screw M8×16 螺钉	9		
10	30201060038	Screw M6×12 螺钉	2		03.1231
11	20201000129	Plate 安装板	1		30.07.041
12	70103000002	Micro Switch 微动开关	1		02.01.21820
13	30211040011	Screw M4×25 螺钉	2		03.0223
14	70301000010	Controller 电控组件	1		02.DKZC.3367
15	70222000002	Horn 电喇叭	1		02.01.2218
16	70411020012	CHINA Charger 30A 国标充电器	1		02.CDQ.0285
16	70411020016	END Charger 30A 英标充电器	1		02.CDQ.0038
16	70411020013	EUROPE Charger 30A 欧标充电器	1		02.CDQ.0286
16	70411020014	USA Charger 30A 美标充电器	1		02.CDQ.0287
16	70411020015	ITA Charger 30A 意大利标充电器	1		02.CDQ.3409
16	70411020021	AUS Charger 30A 澳标充电器	1		02.CDQ.3494
16	70412020001	CHINA Charger Li 50A 国标锂电充电器	1		
16	70412020056	END Charger Li 50A 英标锂电充电器	1		
16	70412020002	EUROPE Charger Li 50A 欧标锂电充电器	1		
16	70412020003	USA Charger Li 50A 美标锂电充电器	1		
16	70412020112	CHINA Charger Li 100A 国标锂电充电器	1		
16	70412020320	END Charger Li 100A 英标锂电充电器	1		
16	70412020009	EUROPE Charger Li 100A 欧标锂电充电器	1		

零件目录最终由制造商保留解释权！

The power of interpretation of this part catalogue will be preserved by the manufacturer eventually!